

# Pneumatic Jolt Squeeze Moulding Machine

Since 1994

# KELSONS®

When You Think Foundry...Think KELSONS

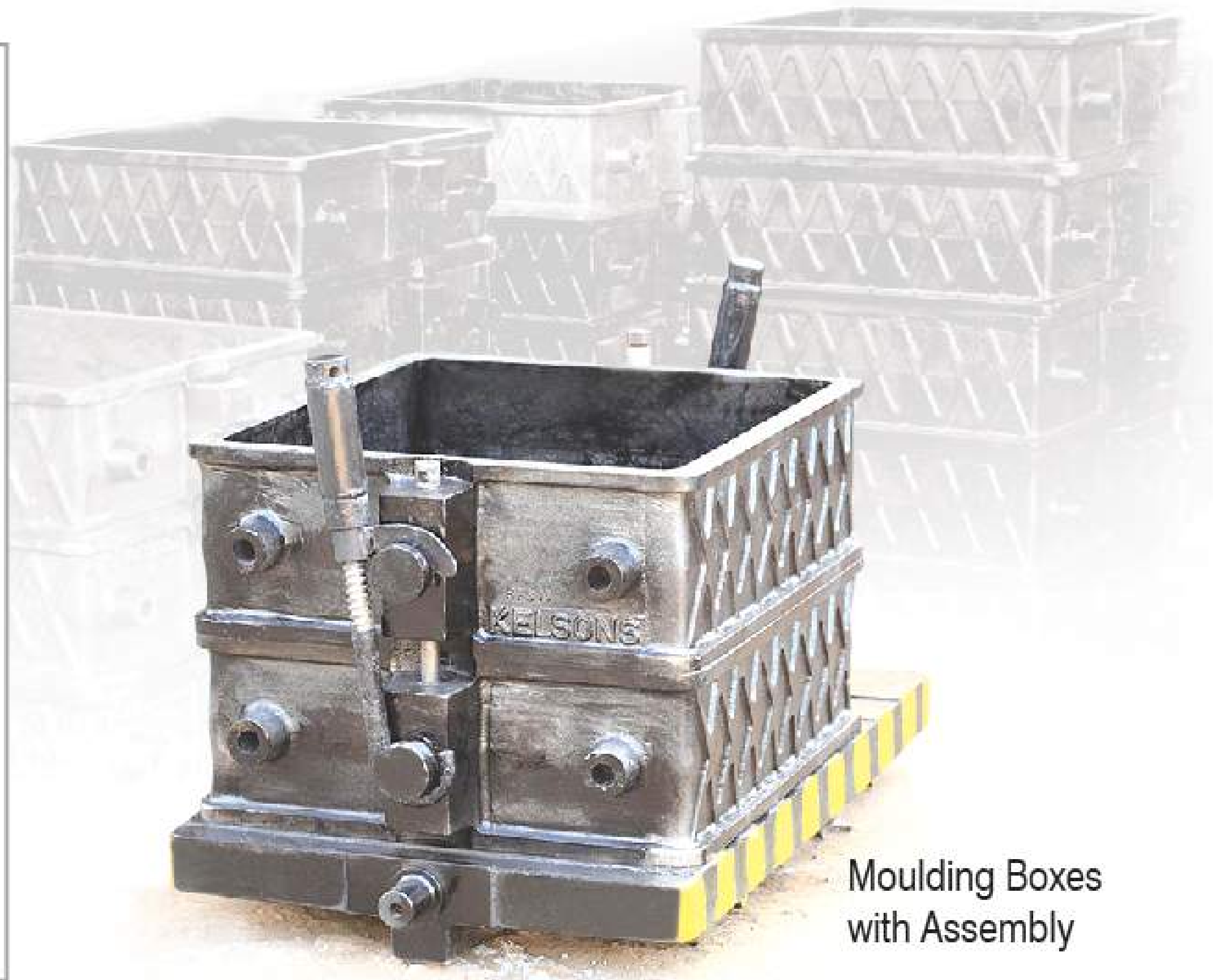
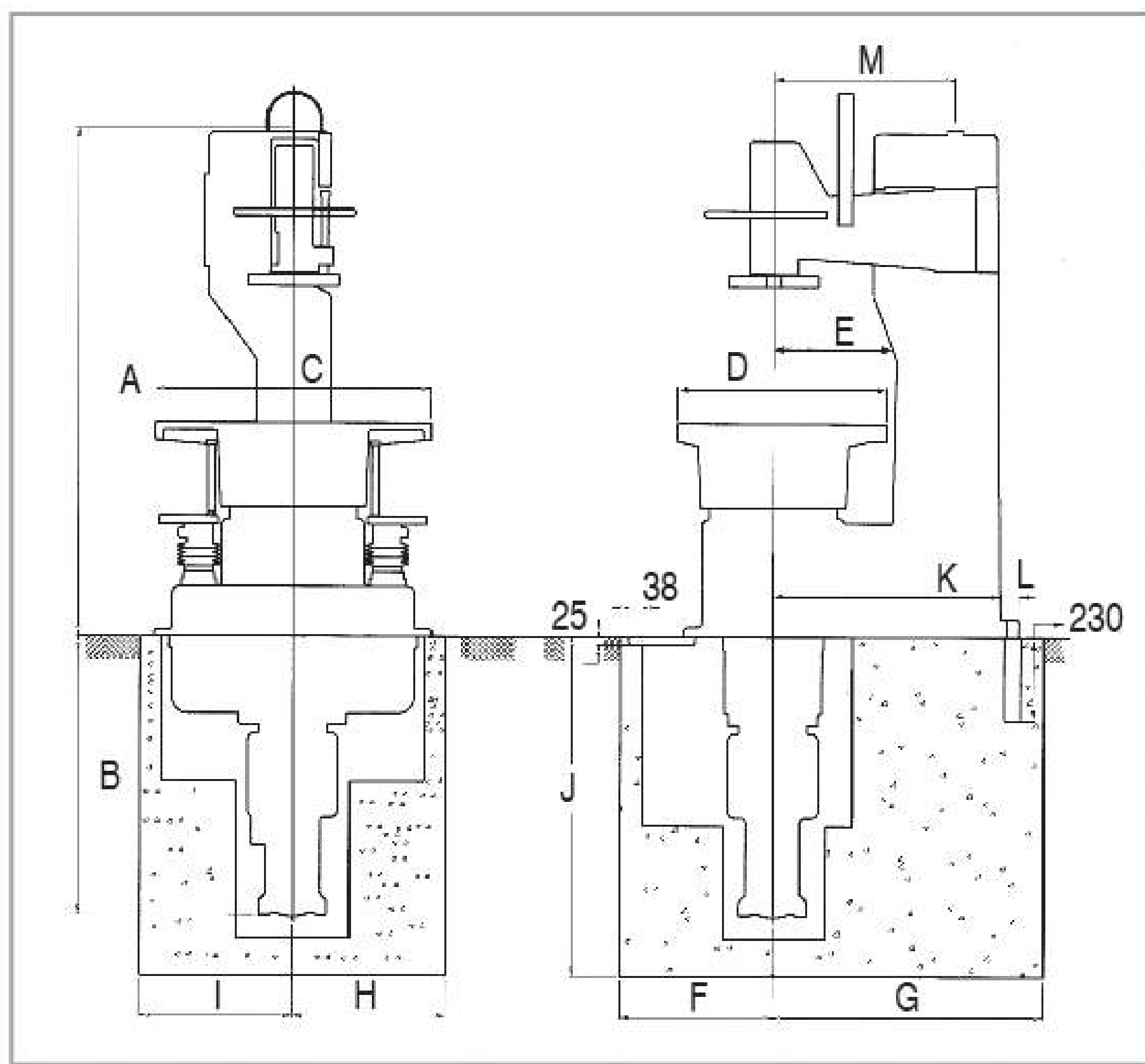


## SALIENT FEATURES

- ▶ Sturdy Construction
- ▶ Easy to Operate
- ▶ High Production & Low Maintenance
- ▶ Parts of S. G. Iron & FG - 260 Grade

**Leading Manufacturers & Exporters of :** Full Range of Foundry Machines, Foundry Sand Testing Equipment, Foundry Metal Testing Equipment & Supplying Resin Coating Sand





Moulding Boxes with Assembly

**OVER ALL DIMENSIONS (mm) IN KPL RANGE**

TYPE	A	B	C	D	E	F	G	H	I	J	K	L	M
KPL-2	1425	780	755	540	360	510	790	455	455	960	660	50	510
KPL-3	1790	950	975	640	375	640	1020	610	610	1200	780	90	590

TECHNICAL DATA	KPL - 2	KPL - 3
Jolt Capacity # Kgs	280	350
Squeeze Force # Kgs	5000	7200
Pattern Drawn mm (In)	205 (8")	260 (10")
Table Sizes mm (In)	750 X 535 (29.5" X 21")	966 X 635 (38" X 25")
Max. Size of Mould box Used mm (In)	640 X 580 (25" X 22 1/2")	850 X 635 (33.5" X 25")
Min. Size of Mould Box Used mm (In)	360 X 285 (14" X 11")	530 X 330 (21" X 13")
Max. Height of Table to Sq- Plate mm (In)	390 (15")	510 (20")
Squeeze Plate adjustment mm (In)	203 (8")	200 (8")
Squeeze Stroke (mm)	76 (3")	100 (4")
Table Height From Floor (mm)	600 (23 1/2")	635 (25")
Free Air Capacity Per Cycle m <sup>3</sup>	0.35	0.41

**NOTE** \*These are outside dimension of moulding box #At 6.3 kg /cm<sup>2</sup> air pressure (Kgs) # All above given Dimensions are approximate.

**OUR FULL RANGE OF PRODUCTS**

**FOUNDRY EQUIPMENT** : Sand Muller, Siever, Moulding M/c., Core Sand Mixer, Sand Drier, Cold Box Core Shooter, Shell Core Shooter, Resin Coating Plant, Shell Moulding M/c., Core Oven, Cupola, Chargers, Ladle, Knockout M/c., Shot Blast M/c., Grinder,  
**SAND PLANT PRODUCT** : Inline Knock Out, Polygonal Siever, Sand Cooler, Belt Conveyor, Slat Conveyor, Bucket Elevator, Screw Feeder, Storage Hoppers, Ploughs, Cast Iron Moulding Box, Pallet Car, Transfer Trolleys, Mould Pusher, Ladle Handler,

**KELSONS ENGINEERS & FABRICATORS**

Plot No. E-22, MIDC, Shirol, Kolhapur - 416 122 Maharashtra. (INDIA) Tel : +91 230 2460156 Fax : +91 230 2460543  
 E-mail : mktg.kelsons@gmail.com Web : www.kelsonsgroup.com